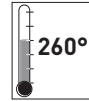


Microminiature Pushbutton Switches for SMT



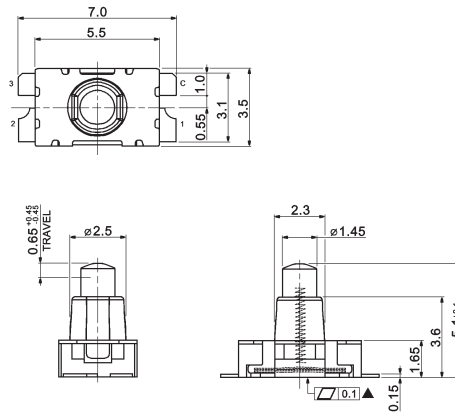
Specifications:

Contact rating:	50 V DC, 10 mA
Contact resistance:	< 100 mΩ
Insulation resistance:	>1000 MΩ
Dielectric strength:	100V, 50 Hz for the duration of 1 minute
Operating temperature:	-10 °C to +60 °C
Operating force:	1.1 ± 0.8 N
Mechanical life:	minimum 100 000 operations
Material:	Contacts, Terminals: phosphor-bronze, gold-plated Stem: brass, nickel-plated Case: HTN, black Cover: stainless steel
Travel:	0.65 ± 0.45 mm

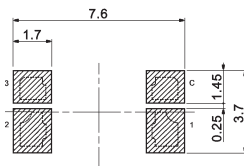
Models: Switching functions

SSP 129 T

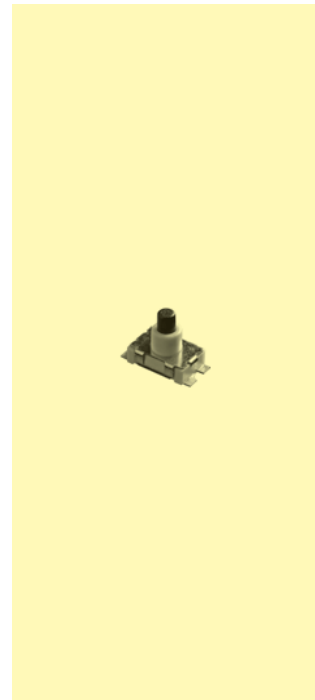
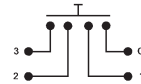
off – mom



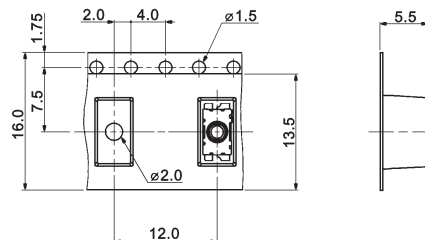
PCB Layout



Circuit diagram



Packing:
1000 pcs/reel



knitter-switch

Distributor: Sider Electronic Industries Ltd.
Tel: 852-23892522 Fax: 852-23574546
Email: info@sider.com.hk URL: www.sider.com.hk