



Dual-in-line Switches

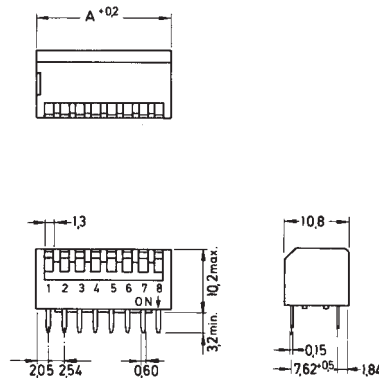
Specifications:

Contact rating:	24 V DC, 25 mA / 6 V DC, 100 mA
Contact resistance:	< 50 mΩ
Insulation resistance:	> 100 MΩ at 500 V DC
Dielectric strength:	500 V, 50 Hz for the duration of 1 minute
Operating temperature:	- 20° to + 70° C
Mechanical life:	minimum 2000 operations per pole
Material:	PBT meets UL 94 V-0
Contacts:	gold-plated over nickel
Construction:	case sealed; series DBP 2000 lever recessed
Mounting:	on pc-board
Slide position:	OFF
Soldering conditions:	auto-soldering – max.: 5 sec, 260° C

Models:

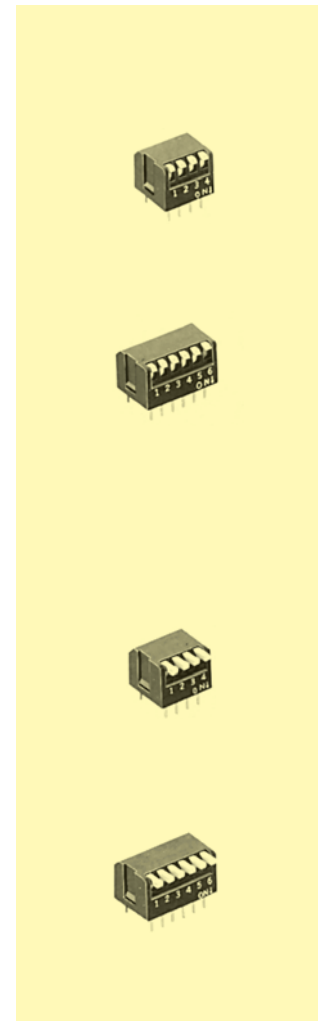
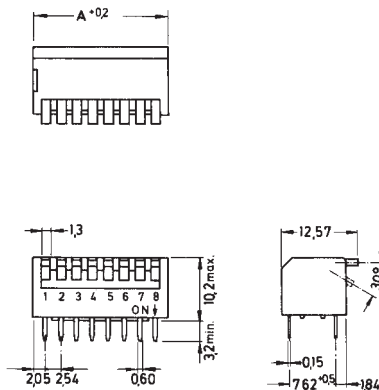
Series DBP 2000

Type	Poles	Length (A)
DBP 2002	2	6,64 mm
DBP 2003	3	9,18 mm
DBP 2004	4	11,72 mm
DBP 2005	5	14,26 mm
DBP 2006	6	16,80 mm
DBP 2007	7	19,34 mm
DBP 2008	8	21,88 mm
DBP 2009	9	24,42 mm
DBP 2010	10	26,96 mm
DBP 2012	12	32,04 mm



Series DBP 2100

Type	Poles	Length (A)
DBP 2102	2	6,64 mm
DBP 2103	3	9,18 mm
DBP 2104	4	11,72 mm
DBP 2105	5	14,26 mm
DBP 2106	6	16,80 mm
DBP 2107	7	19,34 mm
DBP 2108	8	21,88 mm
DBP 2109	9	24,42 mm
DBP 2110	10	26,96 mm
DBP 2112	12	32,04 mm



knitter-switch

Distributor: Sider Electronic Industries Ltd.
 Tel: 852-23892522 Fax: 852-23574546
 Email: info@sider.com.hk URL: www.sider.com.hk