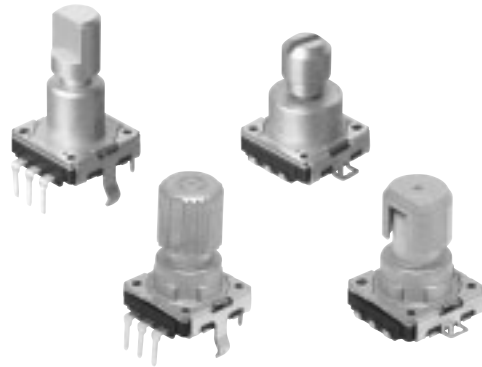


11 mm Square GS Encoders

Type: **EVER/EVEU/EVEV/EVEY**

■ Features

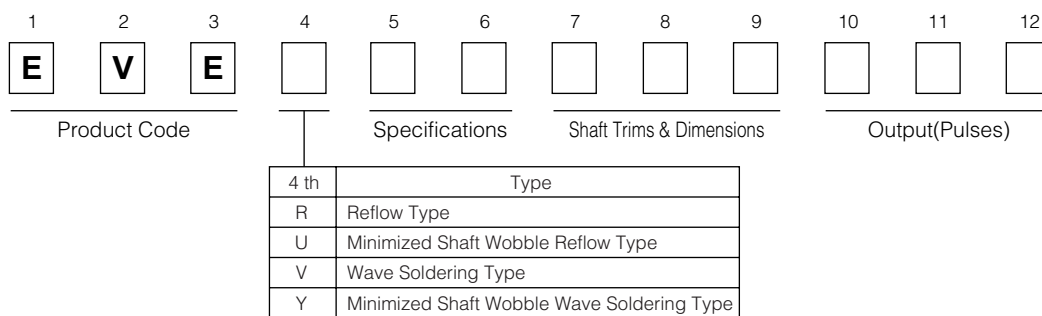
- Low Profile : Reflow Type 3.5 mm,
Wave Soldering Type 4 mm
- Minimized shaft wobble type is also available
- The reflow type allows the product to be automatically mounted and reflow-soldered



■ Recommended Applications

- Car audio, car navigation, car air conditioners

■ Explanation of Part Numbers



■ Specifications

		EVER (Reflow Type)	EVEV (Wave Soldering Type)	EVEU (Minimized Shaft Wobble Reflow Type)	EVEY (Minimized Shaft Wobble Wave Soldering Type)
Mechanical	Rotation Angle	360 ° (Endless)			
	Shaft Pull/Push Strength	100 N min.			
	Shaft Wobble	0.6xL/30 (mm) max.		0.35xL/30 (mm) max.	
	Rotation Torque	3 mN·m to 20 mN·m			
	Detents	16 points, 24 points, 30 points, 32 points			
	Shaft Length Range	L ₁ =15 to 20 mm	L ₁ =15 to 30 mm	L ₁ =16 to 20 mm	
Electrical	Output Signals	Phase A and B			
	Resolution	8, 12, 15, 16 pulses/360 °			
	Rating	1 mA 10 Vdc (at each bit)			
	Contact Resistance	1 Ω max.			
	Chattering	3 ms max.			
	Insulation Resistance	50 MΩ min. (at 250 Vdc)			
	Dielectric Withstanding Voltage	300 Vac for 1 minute			
	Bouncing	5 ms max.			
Switch Part	Type	SPST Push-on			
	Rating	20 mA 16 Vdc			
	Contact Resistance	100 mΩ max.			
	Operating Force	0.4 mm travel type : 3 N, 4 N , 6 N 1.5 mm travel type : 2.5 N, 4 N , 5 N			
	Travel	0.4 mm, 1.5 mm			
Endurance	Rotation Life (Encoder)	30000 cycles min.			
	Operating Life (Switch)	30000 cycles min.			
Minimum Quantity/Packing Unit		50 pcs. (Tray Pack)	100 pcs. (Tray Pack)	50 pcs. (Tray Pack)	100 pcs. (Tray Pack)
Quantity/Carton		250 pcs. or 300 pcs.	500 pcs.	250 pcs. or 300 pcs.	500 pcs.

Design and specifications are each subject to change without notice. Ask factory for the current technical specifications before purchase and/or use. Should a safety concern arise regarding this product, please be sure to contact us immediately.

■ Dimensions in mm (not to scale)

No. 1

EVER
(Reflow Type)

Shaft shape and dimension

Switch circuit diagram.
S.P.S.T.

COM — S
(Notice) Commonness of encoder.

* The position changes with Resolution pulse

PWB mounting hole for reference (Tolerance : ±0.1)
View from mounting side

Bushing length	L ¹	(L ²)
B	5.0 mm	15.0 mm to 17.0 mm
	7.0 mm	17.0 mm to 20.0 mm

No. 2

EVEU
(Minimized Shaft Wobble Reflow Type)

Material: Zinc alloy for die casting

Shaft shape and dimension

Switch circuit diagram.
S.P.S.T.

COM — S
(Notice) Commonness of encoder.

* The position changes with Resolution pulse

PWB mounting hole for reference (Tolerance : ±0.1)
View from mounting side

L ¹	(L ²)	(L ³)
16.0 mm to 20.0 mm	12.5 mm to 16.5 mm	6.5 mm to 10.5 mm

No. 3

EVEV
(Wave Soldering Type)

Shaft shape and dimension

Switch circuit diagram.
S.P.S.T.

COM — S
(Notice) Commonness of encoder.

PWB mounting hole for reference (Pitch tolerance : ±0.1)
View from mounting side
PWB thickness t=1.6

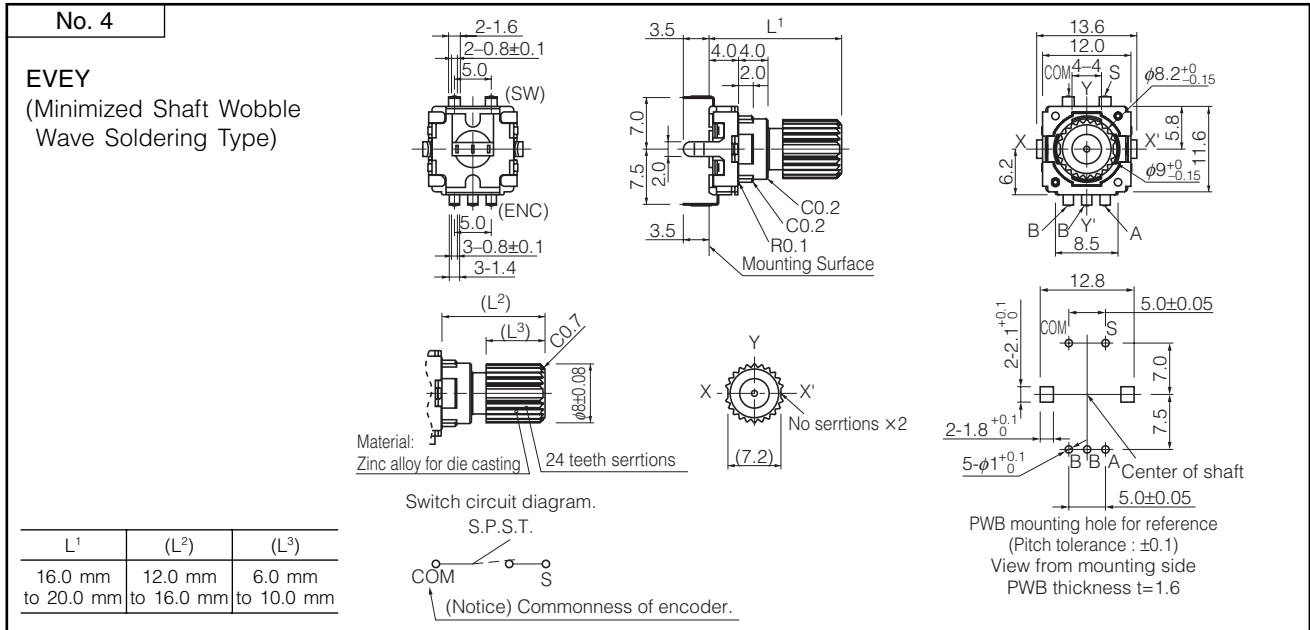
Bushing length	L ¹	(L ²)
B	5.0 mm	15.0 mm to 17.0 mm
	7.0 mm	17.0 mm to 30.0 mm

Design and specifications are each subject to change without notice. Ask factory for the current technical specifications before purchase and/or use. Should a safety concern arise regarding this product, please be sure to contact us immediately.

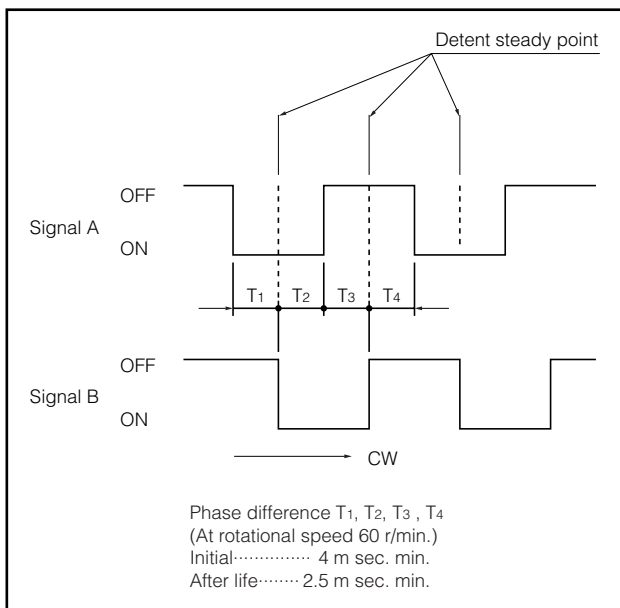
00 Oct. 2012

- EV47 -

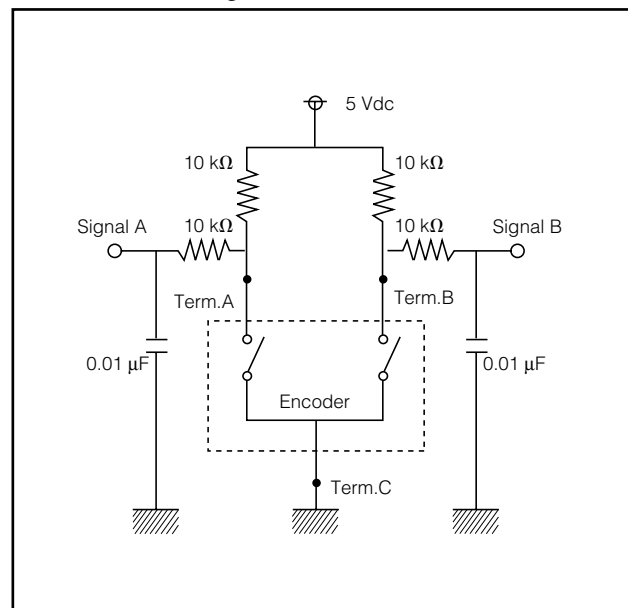
■ Dimensions in mm (not to scale)



■ Phase Difference



■ Test Circuit Diagram



Distributor: Sider Electronic Industries Ltd.
Tel: 852-23892522 Fax: 852-23574546
Email: info@sider.com.hk URL: www.sider.com.hk