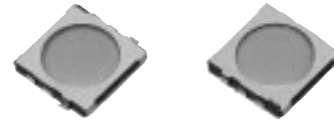


### 4 mm Square Double-action SMD Light Touch Switches

Type: **EVPAH**



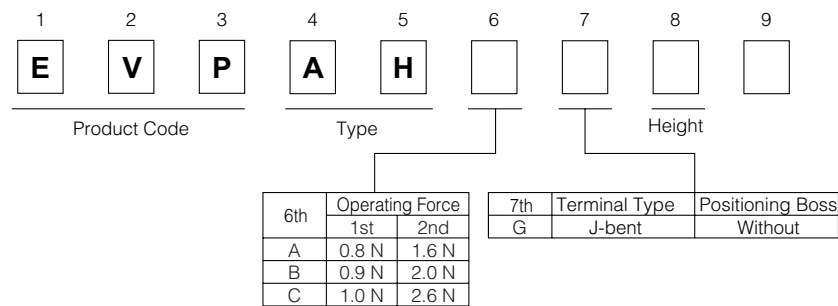
#### ■ Features

- External dimensions : 4.0 mm×4.1 mm, Height 0.59 mm
- Long operation life
- Wide selection of double action operating variations

#### ■ Recommended Applications

- Camera function (Digital still cameras, Camcorders, Mobile phones, etc.) for shutter switches.

#### ■ Explanation of Part Numbers



#### ■ Specifications

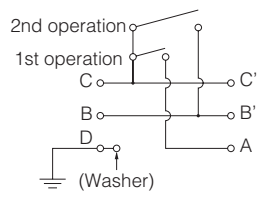
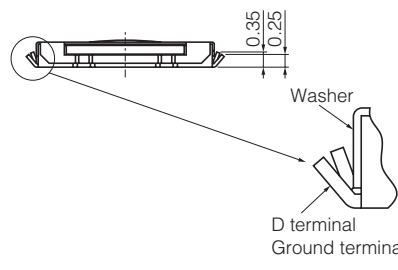
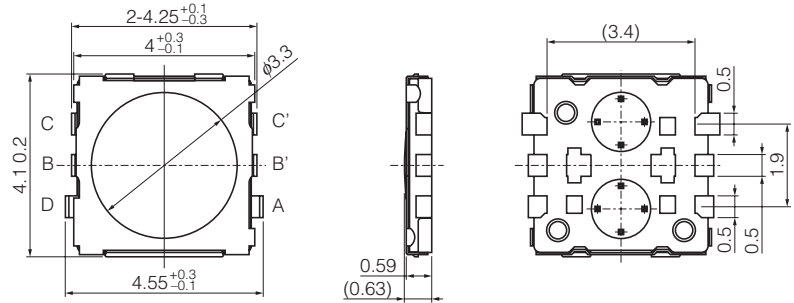
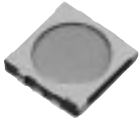
|                               |                                 |   |
|-------------------------------|---------------------------------|---|
| Type                          |                                 | Snap action/Push-on type SPDT   |
| Electrical                    | Rating                          | 10 $\mu$ A 2 Vdc to 20 mA 15 Vdc (Resistive load)                                     |
|                               | Contact Resistance              | 500 m $\Omega$ max.   |
|                               | Insulation Resistance           | 100 M $\Omega$ min. (at 100 Vdc)  |
|                               | Dielectric Withstanding Voltage | 250 Vac for 1 minute  |
|                               | Bouncing                        | 3 ms max. (ON), 20 ms max. (OFF)  |
| Mechanical                    | Operating Force                 | 1st : 0.8 N, 0.9 N, 1.0 N<br>2nd : 1.6 N, 2.0 N, 2.6 N                                |
|                               | Travel                          | 1st: 0.15 mm    2nd: 0.3 mm   |
| Endurance                     | Operating Life                  | 1.6 N : 100000 cycles min.<br>2.0 N : 100000 cycles min.<br>2.6 N : 30000 cycles min. |
| Operating Temperature         |                                 | -20 °C to +70 °C  |
| Storage Temperature           |                                 | -40 °C to +85 °C (Bulk)<br>-20 °C to +60 °C (Taping)                                  |
| Minimum Quantity/Packing Unit |                                 | 8000 pcs. Embossed Taping (Reel Pack)   |
| Quantity/Carton               |                                 | 40000 pcs.  |

Design and specifications are each subject to change without notice. Ask factory for the current technical specifications before purchase and/or use. Should a safety concern arise regarding this product, please be sure to contact us immediately.

■ Dimensions in mm (not to scale)

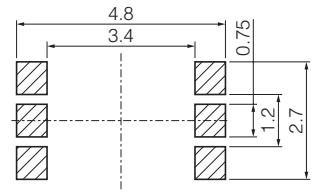
EVPAH

With J-bent terminals

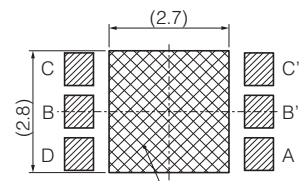


Circuit Diagram

\* C or/and C' shall be used as common/ground terminal.



PWB land pattern for reference (View from mounting side)

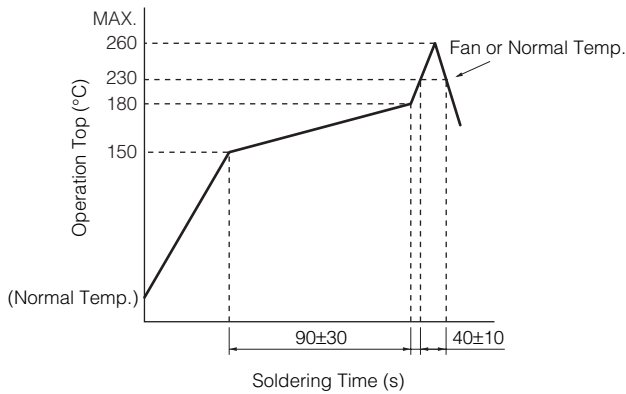


Please do not Provide any Land pattern in this area.

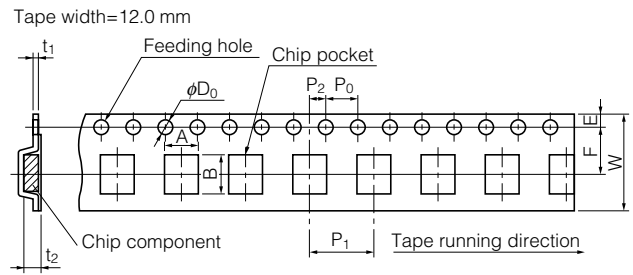
| Part Numbers | Boss    | Ground Terminal | Operating Force |       | Height | Operating Life |
|--------------|---------|-----------------|-----------------|-------|--------|----------------|
|              |         |                 | 1 th            | 2 th  |        |                |
| EVPAHAG6A    | Without | With            | 0.8 N           | 1.6 N | 0.59   | 100000 cycles  |
| EVPAHBG6A    | Without | With            | 0.9 N           | 2.0 N | 0.59   | 100000 cycles  |
| EVPAHCG6A    | Without | With            | 1.0 N           | 2.6 N | 0.59   | 30000 cycles   |

Design and specifications are each subject to change without notice. Ask factory for the current technical specifications before purchase and/or use. Should a safety concern arise regarding this product, please be sure to contact us immediately.

### Recommended Reflow Soldering Conditions



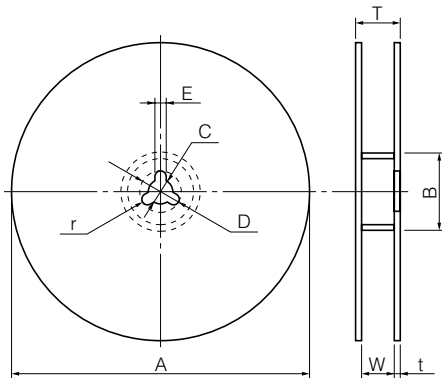
### Embossed Carrier Taping



Unit: mm

| Part No. | Height | A        | B       | W                                    | F       | E        | P <sub>1</sub> | P <sub>2</sub> | P <sub>0</sub> | D <sub>0</sub> Dia.                 | t <sub>1</sub> | t <sub>2</sub>                       |
|----------|--------|----------|---------|--------------------------------------|---------|----------|----------------|----------------|----------------|-------------------------------------|----------------|--------------------------------------|
| EVPAH    | 0.59   | 4.36±0.2 | 4.4±0.2 | 12.0 <sup>+0.3</sup> <sub>-0.1</sub> | 5.5±0.1 | 1.75±0.1 | 8.0±0.1        | 2.0±0.1        | 4.0±0.1        | 1.5 <sup>+0.1</sup> <sub>-0.1</sub> | 0.3±0.05       | 1.25 <sup>+0.2</sup> <sub>-0.1</sub> |

### Standard Reel Dimensions in mm (not to scale)

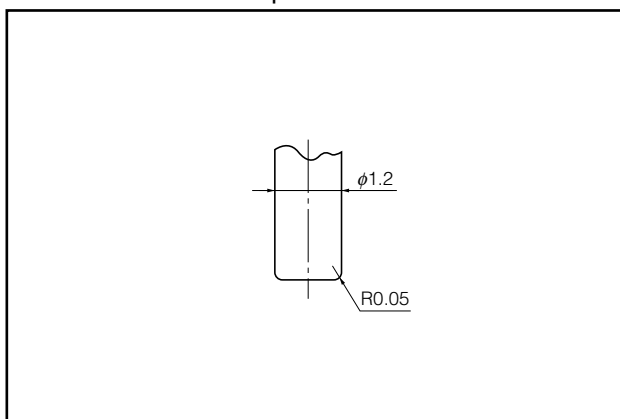


| Item      | A          | B         | C         | D         | E       |
|-----------|------------|-----------|-----------|-----------|---------|
| Rate (mm) | φ380.0±2.0 | φ80.0±1.0 | φ13.0±0.5 | φ21.0±1.0 | 2.0±0.5 |

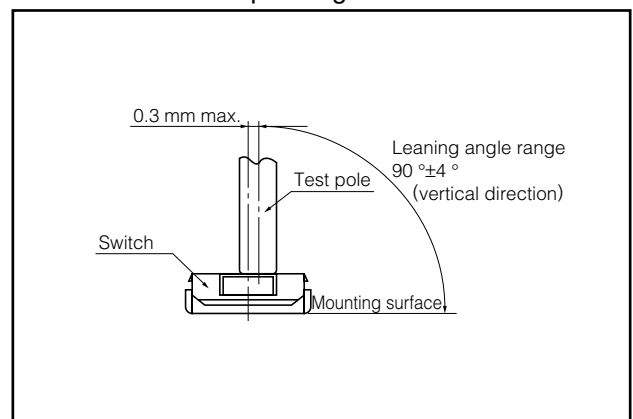
  

| Item      | W        | T        | t          | r       |
|-----------|----------|----------|------------|---------|
| Rate (mm) | 13.5±1.0 | 17.5±1.0 | 1.0 to 3.0 | 1.0±0.5 |

### Recommended Shape of Test Pole



### Recommended Operating Conditions



Design and specifications are each subject to change without notice. Ask factory for the current technical specifications before purchase and/or use. Should a safety concern arise regarding this product, please be sure to contact us immediately.