

### 8 mm Square Long Travel SMD Light Touch Switches

Type: **EVQQ1**



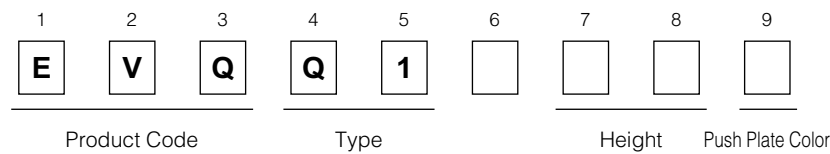
#### ■ Features

- External dimensions : 8.5 mm×8.5 mm, Height 6.5 mm (Including the push plate)
- High operating force which prevents incorrect operation
- Reliable contact (dust-proof design)

#### ■ Recommended Applications

- Switches for car, air conditioners
- Automotive audio equipment
- Steering switches

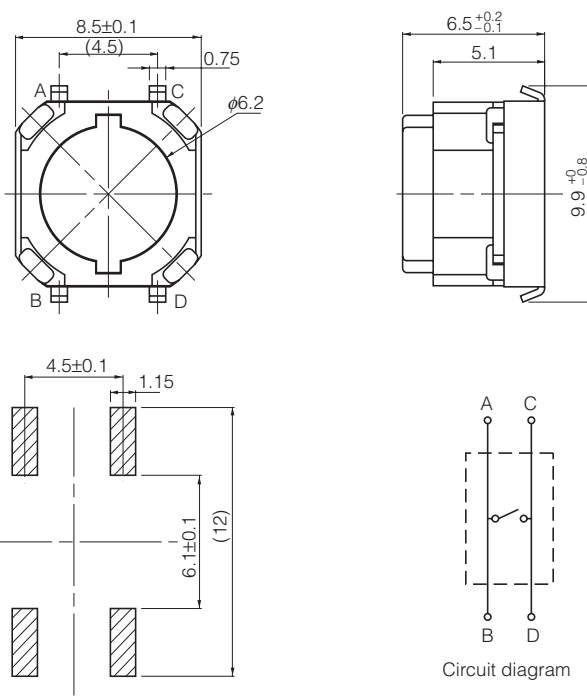
#### ■ Explanation of Part Numbers



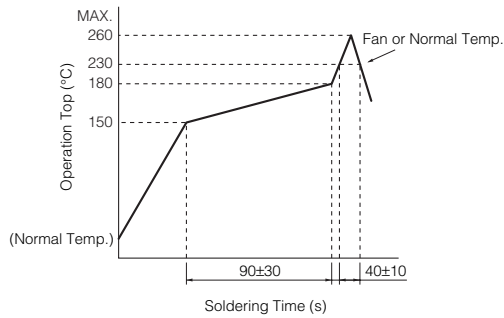
#### ■ Specifications

Type	Snap action/Push-on 1-pole 1-throw SPST	
Electrical	Rating	10 $\mu$ A 2 Vdc to 50 mA 12 Vdc (Resistive load)
	Contact Resistance	100 m $\Omega$ max.
	Insulation Resistance	100 M $\Omega$ min. (at 100 Vdc)
	Dielectric Withstanding Voltage	250 Vac for 1 minute
	Bouncing	10 ms max. (ON, OFF)
Mechanical	Operating Force	4 N, 5 N
	Travel	1.0 mm
Endurance	Operating Life	100000 cycles min.
Operating Temperature		-40 °C to +85 °C
Storage Temperature		-40 °C to +85 °C (Bulk) -20 °C to +60 °C (Taping)
Minimum Quantity/Packing Unit		1000 pcs. Embossed Taping (Reel Pack)
Quantity/Carton		10000 pcs.

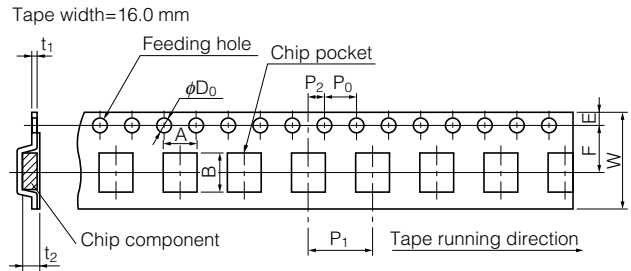
### ■ Dimensions in mm (not to scale)

<b>EVQQ1</b> (Embossed Taping)		
	PWB land pattern for reference	
Part Numbers	Operating Force	Push Plate Color
EVQQ1D06M	4.0 N	Natural
EVQQ1E06K	5.0 N	Black

### ■ Recommended Reflow Soldering Conditions



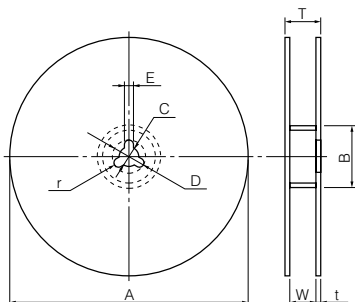
### ● Embossed Carrier Taping



Part No.	Height	A	B	W	F	E	P <sub>1</sub>	P <sub>2</sub>	P <sub>0</sub>	D <sub>0</sub> Dia.	t <sub>1</sub>	t <sub>2</sub>
EVQQ1	6.5	8.9±0.2	10.1±0.2	16.0±0.3	7.5±0.1	1.75±0.10	12.0±0.1	2.0±0.1	4.0±0.1	1.5 <sup>+0.1</sup> <sub>-0</sub>	0.40±0.05	6.8±0.2

Unit: mm

### ● Standard Reel Dimensions in mm (not to scale)



Item	A	B	C	D	E
Rate (mm)	φ380.0±2.0	φ80.0±1.0	φ13.0±0.5	φ21.0±1.0	2.0±0.5

Item	W	T	t	r
Rate (mm)	17.5±0.5	21.5±1.0	1.0 to 3.0	1.0±0.5