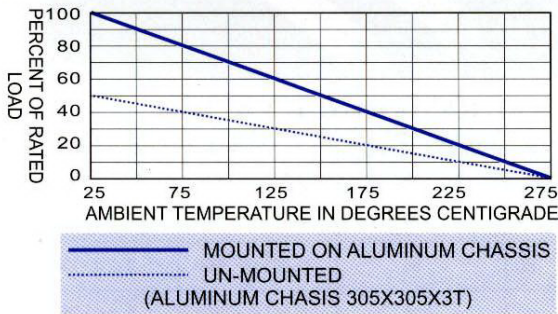




TYPE MFT 快接端子薄型電阻器 **FAST-ON TERMINATION THIN AL-HOUSED RESISTORS**



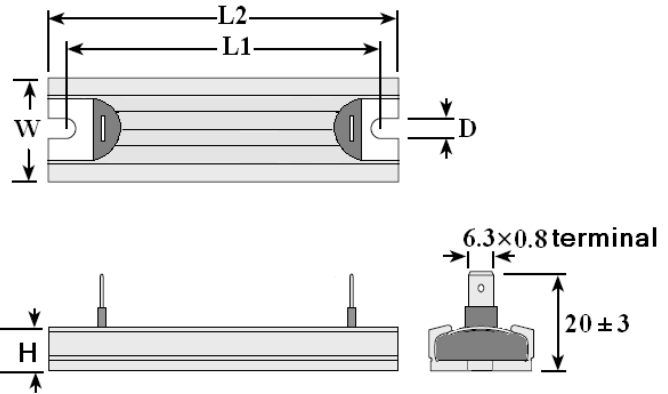
WATTAGE VS. AMBIENT TEMP.DERATING



HOW TO ORDER

MFT100W TYPE N 80Ω RESISTANCE J TOLERANCE

In case of Non-inductive type, use the N



TYPE	DIMENSIONS(MM)					MAX WEIGHT (g)
	L1	L2	W±0.5	H±0.5	D±0.5	
MFT 60W	115	100	41	7	5.2	75
MFT 80W	140	125	41	7	5.2	95
MFT100W	165	150	41	7	5.2	110
MFT120W	190	175	41	7	5.2	125
MFT150W	215	200	41	7	5.2	145
MFT200W	200	190	61	9.2	5.2	220

Electrical characteristic:

Power Rating: 60W~200W

Resistance Range: 1Ω~1KΩ

Tolerance: ±5%~±10%

Temperature coefficient: ±2600PPM/°C

Temperature limits: -40°C~275°C

Working voltage: < 800 Vac

Dielectric strength for 1 minute: 2500 Vac

Isolation Resistance: > 20MΩ

Overload: 5×wattage rating in 5 sec

Materials:

Housing: Aluminum

Terminals: Tinned brass.

Features:

1. High surge construction
2. All welded construction.

Standard isolated type or special multiple choice, please contact with our factory to get more detail information.