

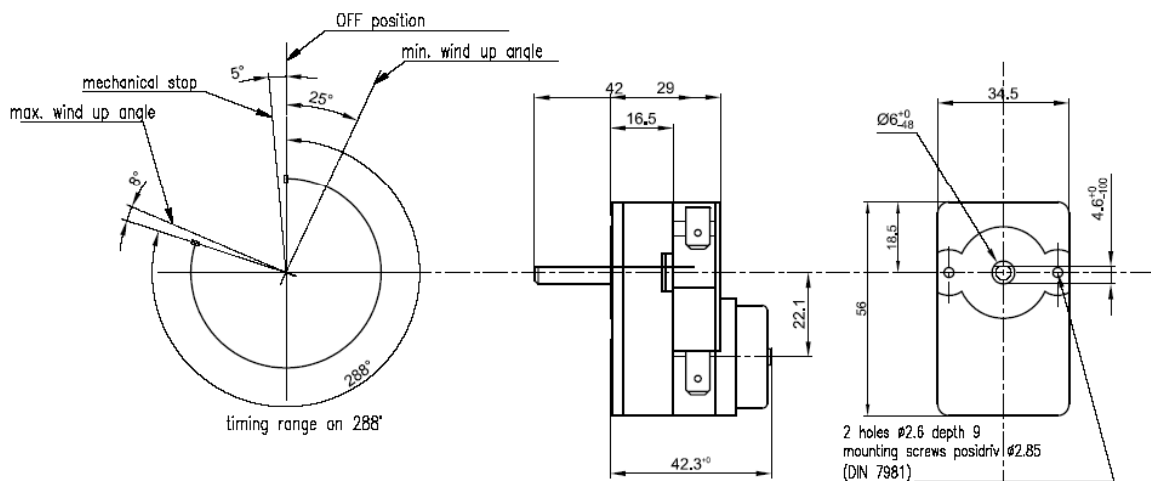


COUPATAN

TIME SWITCH C20

This mechanical time switch is a reliable product which has been chosen by many manufacturers in the industry worldwide as it integrates many advantages such as :

- for a wide range of applications : mini ovens, mini wash, toaster, deep fryers, steamer cookers, grills, solarium, saunas, heaters, fans , battery chargers, industrial applications
- small physical dimensions
- flexibility thanks to the technical adaptations and numerous options provided upon request :
- timing range until 140 min on a standard wind up angle of 288°
- timing tolerance of +/- 5% or +/- 15%
- hold position
- terminal orientation side or rear
- bell at the end of the cycle
- 2 types of fixation : screws or central nut
- different shaft lengths
- numerous configurations with 1 or 2 contacts : SPST -DPST- DPST-DPDT
- scale and knob could be provided under request



TECHNICAL FEATURES C20

Resistive switching capacity	16 (3)A
Voltage rating	250VAC
switch for appliance	I-II
self extinguishability class	VO(UL94)
Dielectric Strength	3750VAC
Distance between contact	>3mm
dimension of the shaft	Diam 6x4.6 std 23mm

Switch position at rest	NO-NC
Terminal type	6.3mmx0.8 silver plated
Number electrical On off	10000
Ambient T°	-10°C to max 125°C
Timing range in minutes	5-7-15-30-60-90-120-140
Approvals	EN 730-2-1 KEMA UL CSA

Distributor: Sider Electronic Industries Ltd.
Tel: 852-23892522 Fax: 852-23574546
Email: info@sider.com.hk URL: www.sider.com.hk