

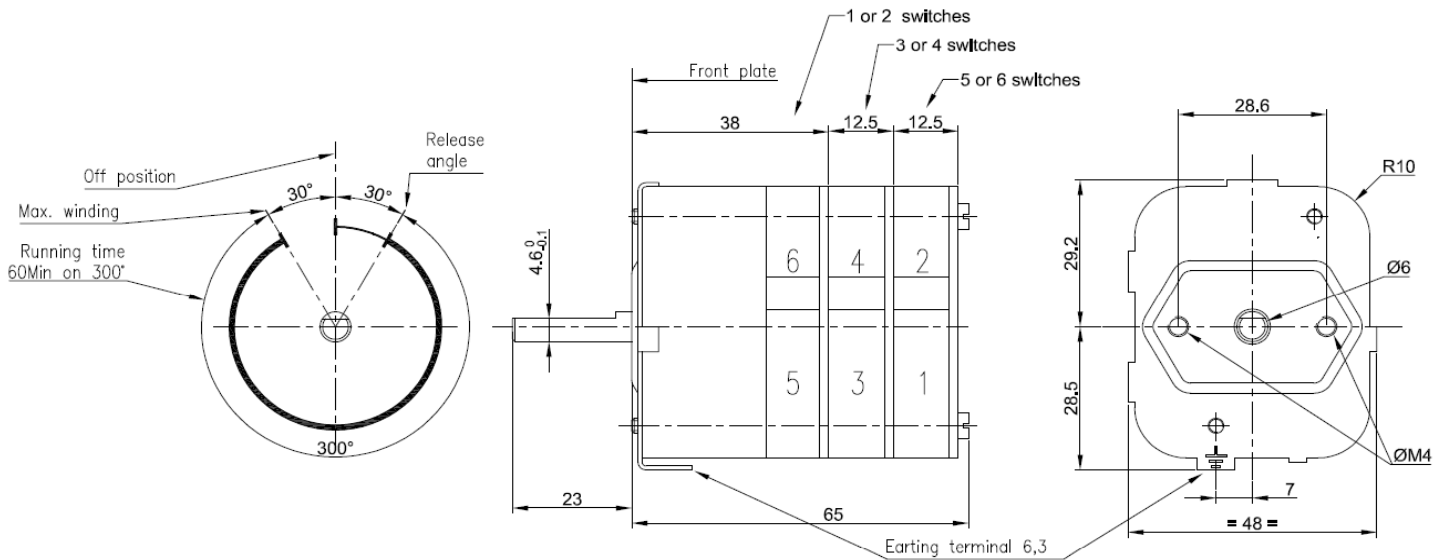
# COULPATAN

## TIME SWITCH C53

This mechanical time switch is available for a wide variety of applications thanks to its modularity and versatile design such as : mini ovens, deep fryers, barbecues, grills, solarium, heaters, battery chargers, industrial applications.

The C53 integrates many advantages such as :

- long term reliability
- small physical dimensions
- timing range until 24 hours on a standard wind up angle of 300°
- timing tolerance of +/- 5%
- numerous configurations with 1 to 6 switches : SPST, DPST, SPDT
- mounting with 2 screws M4 or M3
- different shaft lengths
- scale and knob could be provided under request



## TECHNICAL FEATURES C53

Resistive switching capacity  
Voltage rating  
switch for appliance  
self extinguishability class  
Dielectric Strength  
Distance between contact  
dimension of the shaft

16 (3)A  
250VAC  
I  
V0(UL94)  
3750VAC  
>3mm  
Diam 6x4.6 std 23mm

Switch position at rest  
Tabs terminals  
Number electrical On off  
Ambient T°  
Timing range in hours  
Approvals

NO-NC-CO  
6.3mmx0.8 silver plated  
10000  
0°C to max 125°C  
1-2-3-6-12-24  
EN 730-2-1 KEMA UL CSA

Distributor: Sider Electronic Industries Ltd.  
Tel: 852-23892522 Fax: 852-23574546  
Email: info@sider.com.hk URL: www.sider.com.hk