

Distributor: Sider Electronic Industries Ltd.  
Tel: 852-23892522 Fax: 852-23574546  
Email: info@sider.com.hk URL: www.sider.com.hk

RADAR TYPE LEVEL METER  
(Frequency Modulated Continuous Wave)

# REFLEX RADAR

## FMCW-VG7

SOLUTION NOW COMES TRUE!!  
LEVEL MEASUREMENT FROM LIQUIDS TO  
GRANULATED MATERIALS AND MOST SOLIDS



Petrochemical	Oil Refinery
Chemical	Asphalt
Paint	Powers
Iron-making	Mining
Cement	Resin
Flour Milling	Water Treatment
Paper/Pulp	

EXCELLENCE IN NON-CONTACT TYPE!!  
OUTSTANDING SOFTWARE ENSURES THE MOST  
RELIABLE DETECTION.

### Non-contact Radar

## FMCW VG7 SERIES OF RADAR FMCW SYSTEM

(Frequency Modulated Continuous Wave)

A unique measurement system upgrades the accuracy. Micro pulses are continuously sent via an antenna toward a product to be measured from which they are reflected back. It calculates the round trip time from the frequency difference between micro pulses emitted and received at the antenna, which is directly proportional to the distance. The speed of the micro pulses being not affected by temperature and pressure and the changes in dielectric constant or density, this can widely be applied in various fields. FMCW is the best system to achieve the high resolution both accurately and reproducibly.

VG series are featured by the following unique technical-advantages:

ETS(Empty Tank Spectrum)

It memorizes the complex of inner structure when the tank is emptied and detects the level accurately in ignoring tank internals.

TBF(Tank Bottom Following: Detecting reliably low dielectric products)

Compatibility of Measuring Head

### FEATURES

It can be used for powders, solids, liquids, slurries and viscous materials.

It may not be affected even if the product is varied.

It is of non-contact type having the range of 40m.

It can be used in a vacuum and under high temperature/pressure.

ATEX EExia(intrinsically safe explosion-proof)

ATEX EExd(flame-proof)

Low Consumption (75mW)

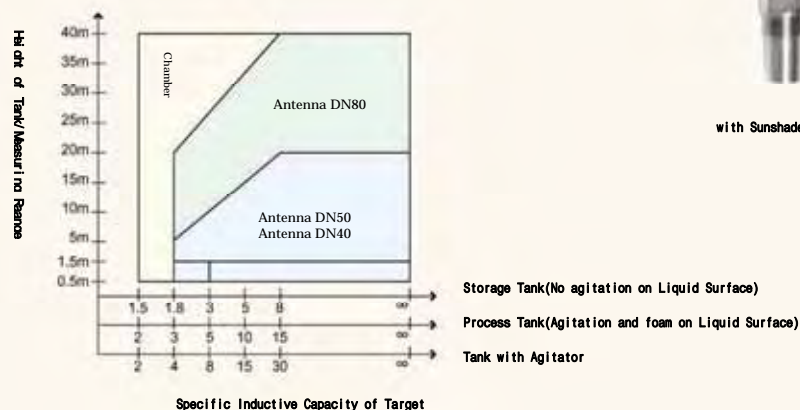


### OPERATING PRINCIPLE

Electromagnetic waves are emitted, reflected from the target surface and received at a time-delayed frequency. The difference is calculated from the actual transmit frequency and the receive frequency and is transformed into a lower frequency spectrum. Then the distance is calculated from this spectrum. FMCW is programmed so as to process signals to keep the linearity.

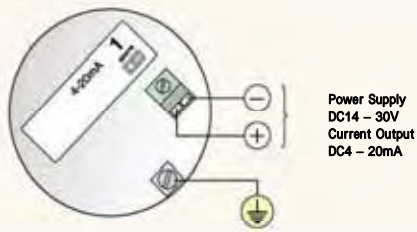


### SELECTION GRAPH FOR ANTENNA TYPE

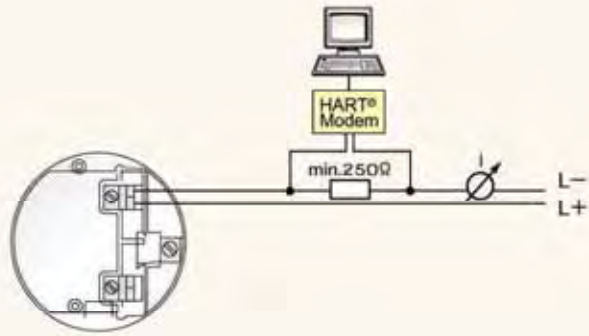


\*Select Apparent Specific Inductive Capacity for powders and

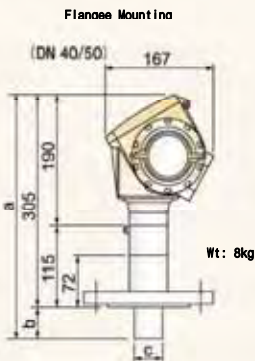
**CROSSLINE DRAWING**



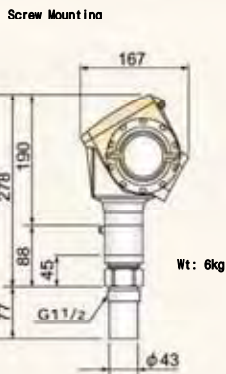
**CONNECTION DRAWING**



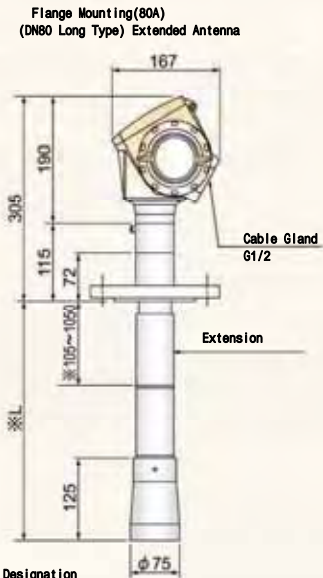
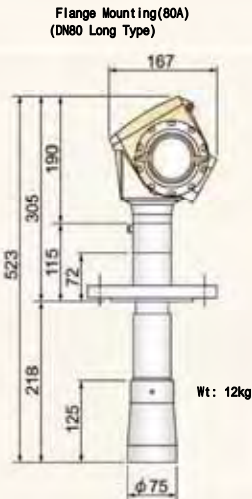
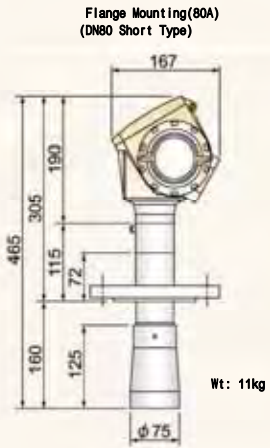
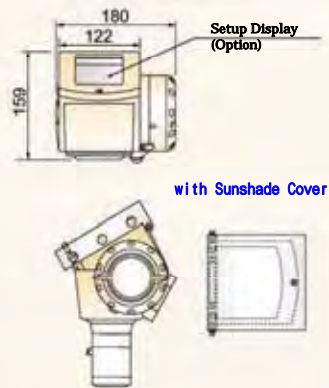
**HOUSING DIMENSIONS**



Antenna	a	b	c
DN40	344	39	39
DN50	355	50	43



**Plane View**



Ref Designation Model Table

**PROGRAMMING**

With a setup display on the head and HART Protocol options, it is possible to do remote programming with PC and to monitor.



Sensor-head Display(Optional)



PC Display

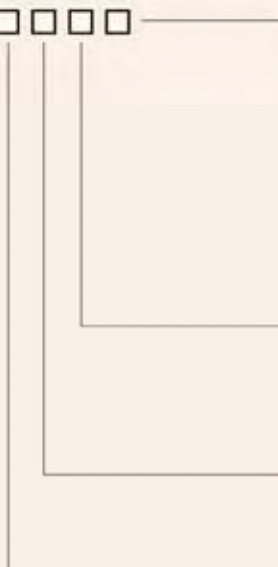


## STANDARD SPECIFICATIONS

Power Supply (Two Wire)	Non Explosion-proof/ EExi	24VDC (DC14 30V)
	EExd	24VDC (DC20 36V)
Measuring Range	Min Tank Height	0.5m
	Max Measuring Range	40m(dependant on environment)
	Blocking Distance	Extended Length + Antenna Length + 0.1m
Output	Output 1(Max Load Resistance 350 )	DC4 20mA HART (Max Load Resistance: 350 )
	Error Output	DC3.6mA or DC22mA or hold
	Accuracy	0.05%
	Resolution	± 2 μA
Accuracy	Accuracy	± 3mm(dependant on environment)
	Resolution	1mm
	Beam Angle(DN40)	20 °
	Beam Angle(DN50)	15 °
Conditions	Beam Angle(DN80)	10 °
	Ambient Temperature	-40 - +85 (EExi: -40 - +60 )
	Storage Temp. for Insutrmnt	-40 - +85
	Flange Temperature	-40 - +200 (EEx: +150 )
	Withstanding Pressure	-0.1MPa 4MPa
Housing	IP66 NEMA6 6X	

## DESIGNATION OF MODEL

VG7□□□□



### Dimensions of Extension

- 0 Extension No
- 1 105mm(Under flange length = 321mm)
- 2 210mm(Under flange length = 426mm)
- 3 315mm(Under flange length = 531mm)
- 4 420mm(Under flange length = 636mm)
- 5 525mm(Under flange length = 741mm)
- 6 630mm(Under flange length = 846mm)
- 7 735mm(Under flange length = 951mm)
- 8 840mm(Under flange length = 1056mm)
- A 945mm(Under flange length = 1161mm)
- B 1050mm(Under flange length = 1266mm)

DN80  
Long Type only

### Shape of Antenna

- 0 DN40 39mm
- 1 DN50 43mm
- 2 DN80 75mm
- 3 DN80(Long Type) 75mm

### Material of Mounting Portion/Antenna

- 0 SUS316L
- 1 Hastelloy C

### Explosion-proof

- 0 Non explosion-proof
- 2 ATEX EExia IIC T6
- 3 ATEX EExd ia IIC T6

製造元 HYCONTROL

### Line of business

- 回転式レベルスイッチ
- 振動式レベルスイッチ
- 振子式レベルスイッチ
- 音波式レベルスイッチ
- 静電容量式レベルスイッチ
- 静電容量式近接センサ
- 静電容量式レベルメータ
- ダイヤフラム式レベルスイッチ
- チルトスイッチ
- リーク式レベルスイッチ
- マイクロウェーブスイッチ
- サウンディング式レベルメータ
- フロースイッチ
- 電極式レベルスイッチ
- フロートスイッチ
- フロート式レベルメータ
- 超音波式レベルメータ
- コンベア周辺機器
- ダストモニタ
- ジルコニア酸素濃度計
- レーザー式レベルメータ
- 電波式レベルメータ
- 液体温度・湿度計
- 超音波流量計

※ご使用に関しては取扱説明書を必ずお読み下さい。  
※予告なく仕様変更することがありますので予めご了承下さい。

Nuclear Power Generation to Rice Milling  
All-round Manufacturer of Level Controllers for Powder, Granules and Liquid

**KANSAI Automation Co., Ltd.**

**Distributor: Sider Electronic Industries Ltd.**  
Tel: 852-23892522 Fax: 852-23574546  
Email: [info@sider.com.hk](mailto:info@sider.com.hk) URL: [www.sider.com.hk](http://www.sider.com.hk)

megoya Office: 2-1-27, Sanyama, Utsunomiya-Ku, Megoya 499-0010, Japan  
Tel: 81-52-741-2432 Fax: 81-52-741-1588  
Kyushu Office: 1-3-39, Akano, Fukuoka-Kita-Ku, Kitakyushu 802-0001, Japan  
Tel: 81-93-511-4741 Fax: 81-93-511-4580

代理店 /Agent